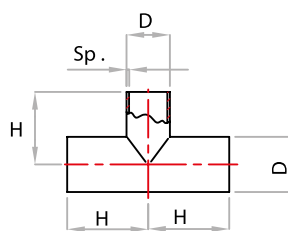


Ø	D	R	Sp
1/2"	12.7	50	1.6
3/4"	19	50	1.6
1"	25.4	75	1.6
1"1/2	38.1	90	1.6
2"	50.8	100	1.6
2"1/2	63.5	115	1.6
3"	76.2	130	2
4"	101.6	150	2

DN	D	R	Sp
10	12	26	1.5
15	18	35	1.5
20	22	40	1.5
25	28	50	1.5
32	34	55	1.5
40	40	67	1.5
50	52	72	1.5
60	60	75	1.5
65	70	85	2
80	85	95	2
100	104	150	2



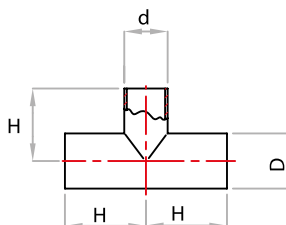
COD. 7M...x...G/L/LL-6

Pezzo a Tee a mandrinare  
Tee Welds Ends  
MAT. AISI 316L



D x d	H
19 x 12.7	92
25.4 x 12.7	
25.4 x 19	75
38.1 x 12.7	90
38.1 x 19	92
38.1 x 25.4	90

D x d	H
50.8 x 25.4	102
50.8 x 38.1	100
63.5 x 50.8	115
76.2 x 50.8	10
76.2 x 63.5	130

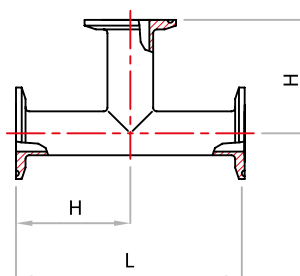


COD. 7R...x...G/L/LL-6

Pezzo a Tee ridotto  
Reducing Tee Weld Ends  
MAT. AISI 316L



Misura / Size	1/2"	3/4"	1"	1"1/2	2"	2"1/2	3"	4"
H	62.5	67.5	62.5	70	89	89	95	114
L	125	135	120	140	178	178	190	228



COD. 7MP...-LL-6

Raccordo Tee  
Tee Clamp Ends  
MAT. AISI 316L



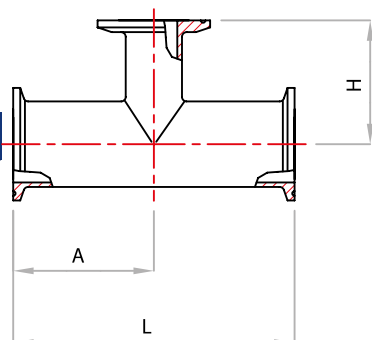
Tee e croci Clamp serie B.S.  
B.S. tee and cross Clamp



Tee e croci Clamp serie B.S.  
B.S. tee and cross Clamp

COD. 7RMP...-LL-6

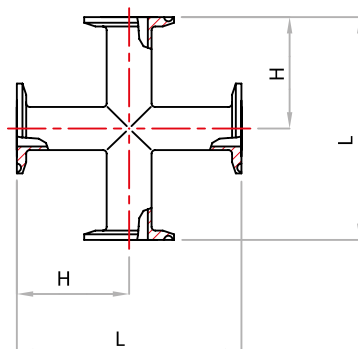
Raccordo Tee ridotto  
Reducing Tee Clamp Ends  
MAT. AISI 316L



Misura / Size	H	A	L
3/4" x 1/2"	23	67.5	135
1" x 1/2"	27	62.5	125
1" x 3/4"	27	62.5	125
1 1/2" x 1/2"	34.5	70	135
1 1/2" x 3/4"	34.5	70	135
1 1/2" x 1"	34.5	70	135
2" x 1"	42	89	178
2" x 1 1/2"	42	89	178
2 1/2" x 2"	49	89	178
3" x 2"	55.5	95	225
3" x 2 1/2"	55.5	95	225

COD. 9MP...-LL-6

Croce  
Cross Tee Clamp Ends  
MAT. AISI 316L



Misura Size	1/2"	3/4"	1"	1 1/2"	2"	2 1/2"	3"	4"
H	62.5	67.5	62.5	70	89	89	95	114
L	125	135	125	140	178	178	190	228

\*Esecuzioni speciali su richiesta  
\*Special execution on request